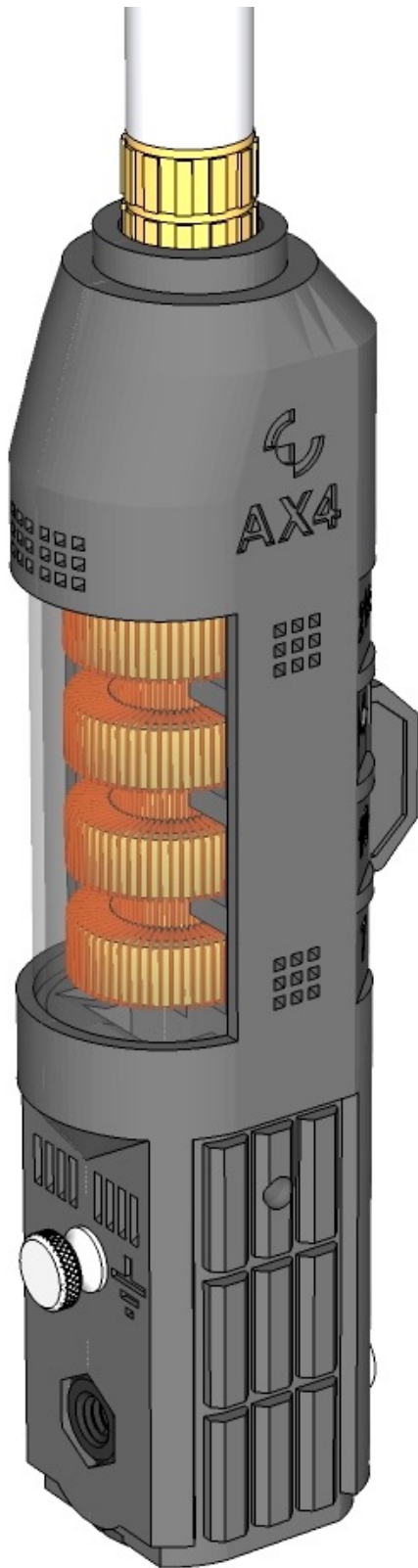


ELECRAFT AX4

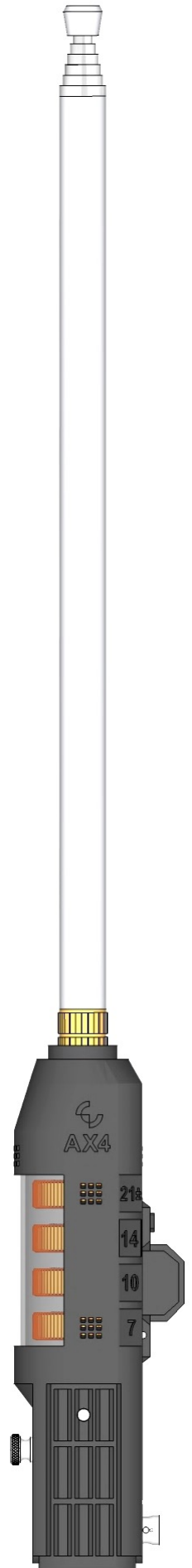
100 W, 40-10 m WHIP



(Actual Size)

E740393 Rev. A2

- **HIGHER EFFICIENCY:** 8' (2.5 m) telescoping whip offers up to 6 dB gain compared to 4' (1.2 m).
- **MORE BANDS:** Large, high-Q toroids work with your ATU (required) to cover 40, 30, 20, and 15 m. Uses 15 m setting for 17, 12, and 10 m. Band switching via high-reliability, 4-position jumper block.
- **MORE POWER:** Convection-cooled base unit handles up to 100 W CW/SSB, 50 W data.
- **TAMES HIGH WINDS:** Three-position AXTC4 clamp (shown on back) works with tables up to 3" (75 mm) thick. Rubber pads on base and clamp resist vibration.
- **VERSATILE MOUNTING:** 1/4-20 nut in base can be used with hiking poles and camera tripods.
- **EASY SETUP:** The AX4 assembles in seconds and is fitted with a BNC connector, preferred for quick field activations.
- **RFI PROOF WITH BL3:** Compact BL3 balun (not shown) keeps RF off your coax shield, allowing QRO operation on non-resonant bands.
- **PACKS LIGHT:** Base unit is 6.7" (17 cm) long; whip, 13" (33 cm), collapsed. Weighs 15 oz. (0.42 kg). Includes nylon drawstring bag.



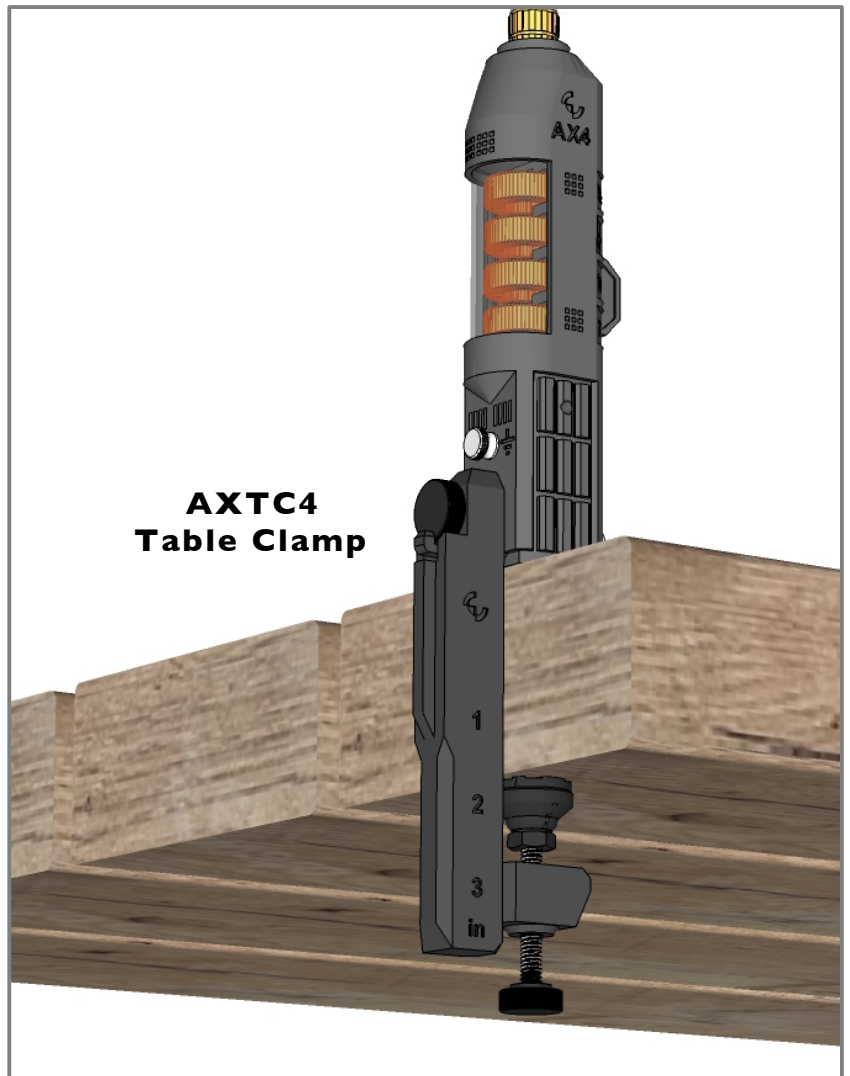
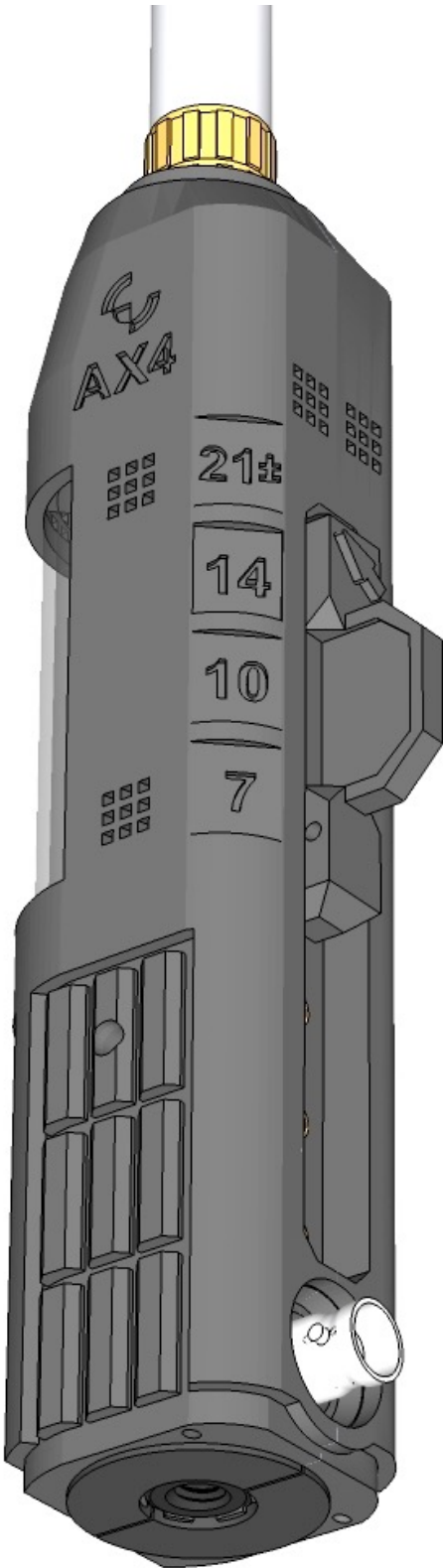
TAKE YOUR ADVENTURES TO THE NEXT LEVEL WITH THE NEW AX4!

Our 4' (1.2 m) whips are great for ultraportable outings. But when you need more punch...answer the call of the wild with the rugged AX4. Perfect for picnic table or tripod mounting in wind-swept terrain, the 8' (2.5 m) AX4 boosts your signal as much as 6 dB.

On 20 m, connect the supplied 16' (4.9 m) radial to the built-in ground screw. Add 1/4-wave radials for other bands as needed (required for QRO use).

As shown at left, the resonant frequencies are ~7, 10, 14, and 21 MHz. A wide-range ATU, e.g. those in all Elecraft transceivers, handles final matching.

Our versatile AXTC4 table clamp (below) bolts directly to the whip base. The base also includes an insulated hole for guy wires.



 ELECRAFT

www.elecraft.com
(831) 763-4211